

NDF35 / NDF50

Dual Fuel Burner

253kW - 1353kW



NDF35/50 Dual Fuel Burner features:

- Suitable for gas (LPG, NG or TG) and oil (LFO, MFO or HFO)
- Burner mounted control panel
- Simple switch changeover between fuels
- 2-stage control (high/low) as standard (Modulating control standard on NDFR models)
- Designed and approved in accordance with the European Standard EN 676 and EN267
- NDFL - Class 'D' oil 5.5 cSt @ 40°C
- NDFR - Class 'G' oil 40 cSt @ 100°C
- Fully closing air damper
- Oil Heater – Burner mounted pumping & heating unit included with burner to heat oil for atomisation for NDFR (Intermittent operation during standby to maintain oil temperature for immediate restart)
- NDFR burners require a pre-heated ringmain oil supply, minimum temperature @ 83°C for Class 'G' oil
- All kW ratings are nett CV
- Suitable for high resistance boilers
- Industry standard components easily available
- Options Extras:
 - Modulating control (Std on NDFR models)
 - Air inlet silencer (Std on NDF100-41 and above)
 - Acoustic cover (wheel-over)
 - Water level control panel (AOTC)
 - Free-standing pumping & heating unit



For more information on all Nu-way products please visit www.nu-way.co.uk



Enertech Group

NDFL – DISTILLATE FUEL HIGH/LOW							
Panel and Pump Unit mounted on Burner							
Burner Type		NDFL35			NDFL50		
Capacity	kW	253-1026			406-1353		
		35-25	35-34	35-38	50-28	50-34	50-38
Fan Motor	V/ph/Hz	220/420 / 3 / 50 380/420 / 3 / 50	380/420 / 3 / 50	380/420 / 3 / 50	380/420 / 3 / 50	380/420 / 3 / 50	380/420 / 3 / 50
	kW	1.1	2.2	3.0	2.2	3.0	4.0
Run Current	A/each phase	2.5	4.6	6.1	4.6	6.1	8.0
Cable size	mm ²	1.0	1.5	1.5	1.5	1.5	2.5
Fuse	A (HRC)	10	15	20	15	20	25
Control unit		LFL			LFL		
Flame monitoring		UV Cell			UV Cell		
Control Options		2 Stage / Mod			2 Stage / Mod		
Air damper motor		Yes			Yes		
Oil Pressure gauge		Yes			Yes		
Noise	@ 1m dBA	78	84	86	82	86	90
NOx* (gas/oil)	mg/kWh	<80 / <120			<80 / <120		
Gross weight	kg	165			165		
Packing dimensions	l x w x h (cm)						

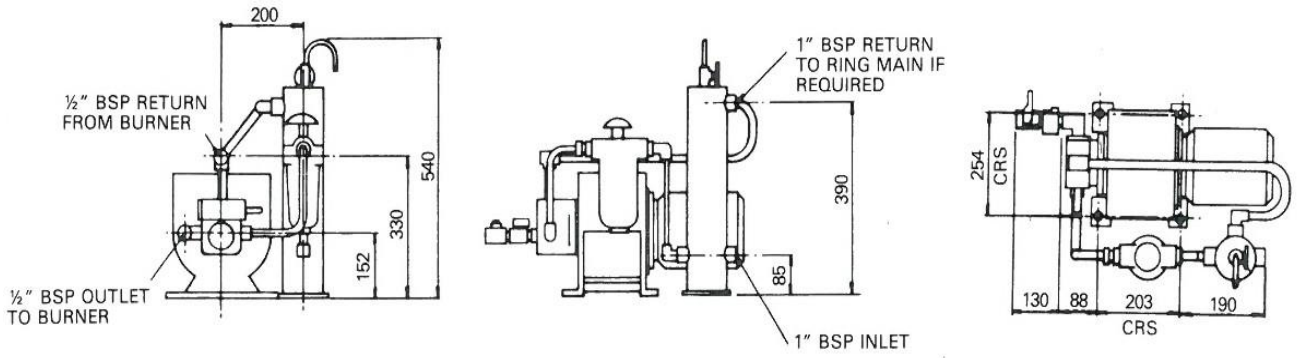
• Other electrical supply options available on request.

*Typical NOx level subject to combustion chamber design and site conditions.

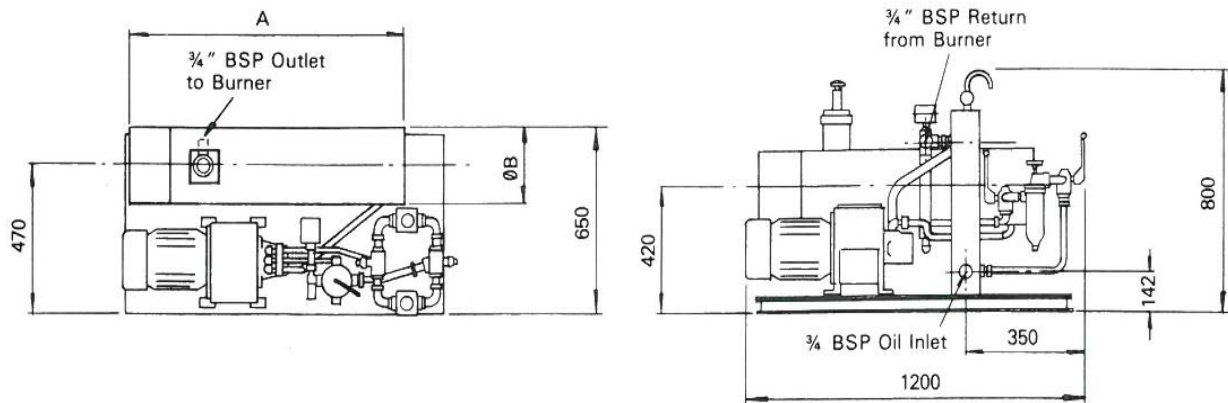
NDFR – RESIDUAL FUEL SLIDING HIGH/LOW							
Separate Panel and Pumping & Heating Unit							
Burner Type		NDFR35			NDFR50		
Capacity	kW	253-1026			406-1353		
		35-25	35-34	35-38	50-28	50-34	50-38
Fan Motor	V/Hz	220/420 / 3 / 50 380/420 / 3 / 50	380/420 / 3 / 50	380/420 / 3 / 50	380/420 / 3 / 50	380/420 / 3 / 50	380/420 / 3 / 50
	kW	1.1	2.2	3.0	2.2	3.0	4.0
Run Current	A/each phase	11.0	13.1	15.0	15.0	17.0	19.0
Cable size	mm ²	2.5	4.0	4.0	4.0	4.0	4.0
Fuse	A (HRC)	30	40	40	40	40	50
Pump	kW	0.75	0.75	0.75	0.75	0.75	0.75
Pre-Heater	kW	4.5	4.5	4.5	6.0	6.0	6.0
Control unit		LFL			LFL		
Flame monitoring		UV Cell			UV Cell		
Control Options		2 Stage / Mod			2 Stage / Mod		
Air damper motor		Yes			Yes		
Oil Pressure gauge		Yes			Yes		
Noise	@ 1m dBA	78	84	86	82	86	90
Gross weight	kg	165			165		
Packing dimensions	l x w x h (cm)						

• Other electrical supply options available on request.

All data calculated at 415 volts. Motors marked * are 4 pole. All others are 2 pole. Distillate fuel burners are monoblock. Residual fuel burners have separate pumping and heating units. Modulating burners have separate control panel. Motors 5.5kW and over are star delta start. 1 kW = 1.34 HP. Run currents are for oil firing when on gas, this will be reduced to burner motor only unless oil is circulated.



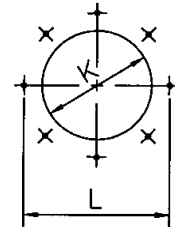
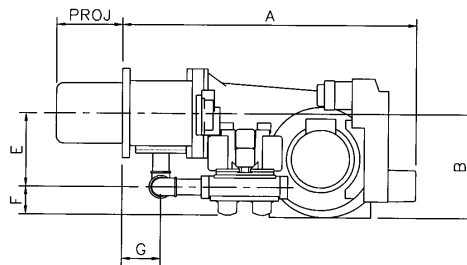
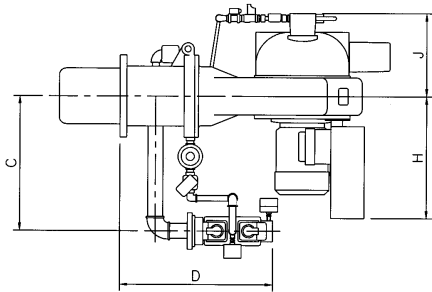
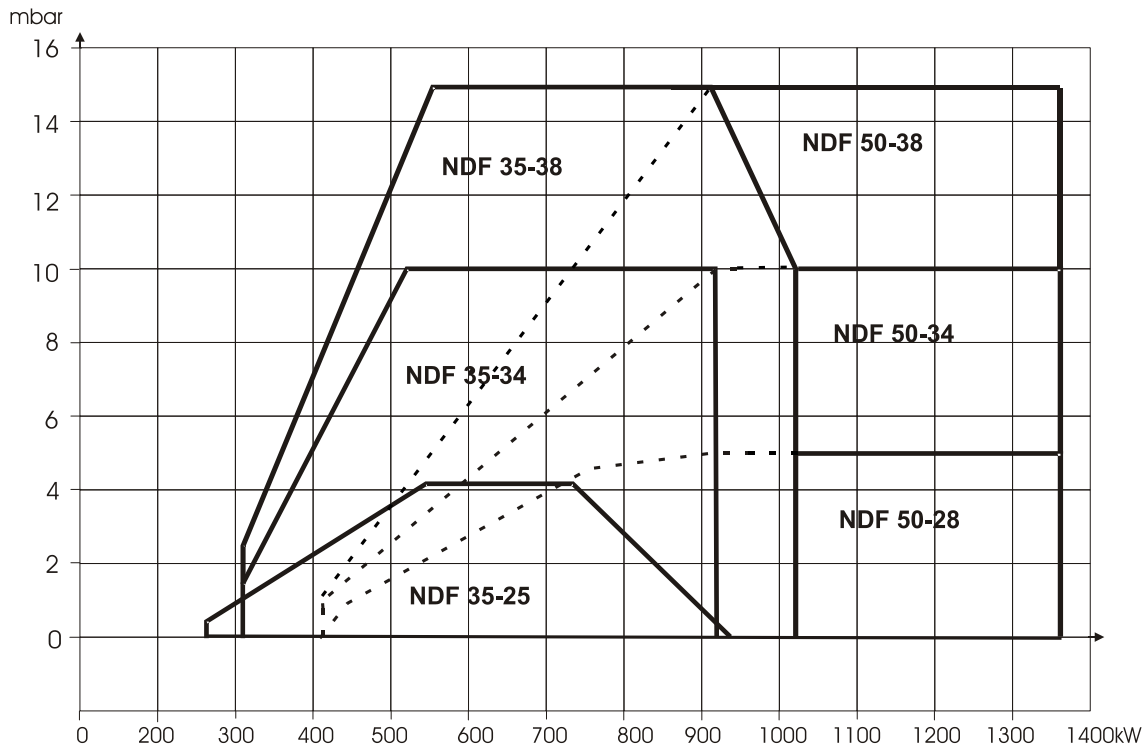
NDFL Modulating: Pump Unit



kW	Dim A	ØB
4.5 & 6.0	692mm	155mm
7.5 & 9.0	684mm	224mm
12.0	586mm	224mm

NDFR Modulating and Sliding High/Low: Pump Unit

BURNER SELECTION CHART



Burner	A	B	C	D	E	F	G	H	J	K	L
NDF35-25	910	340	540	610*	305	105	141	500	310	230	305
NDF35-34	1080	385	540	610*	305	105	141	500	335	230	305
NDF35-38	1110	475	540	610*	305	105	141	500	350	230	305
NDF50-28	1080	385	540	610*	305	105	141	500	335	230	305
NDF50-34	1080	385	540	610*	305	105	141	500	335	230	305
NDF50-38	1110	475	540	610*	305	105	141	500	350	230	305

* +60mm if LDU11 valve proving fitted

Enertech Limited, Ten Acres, Berry Hill Industrial Estate,
Droitwich Spa, Worcestershire, WR9 9AQ

tel: +44 (0) 1905 794331 • fax: +44 (0) 1905 794017
email: info@nu-way.co.uk • web: www.nu-way.co.uk



Enertech Group