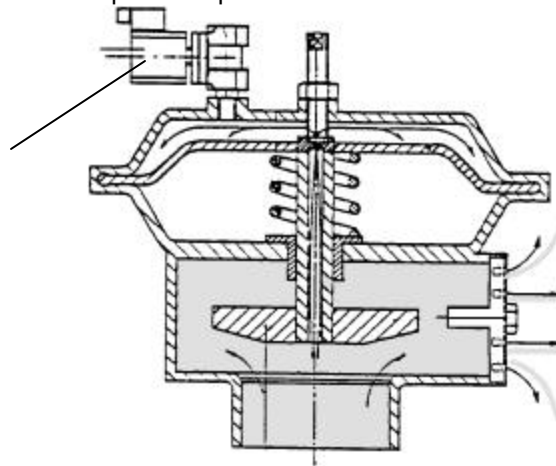


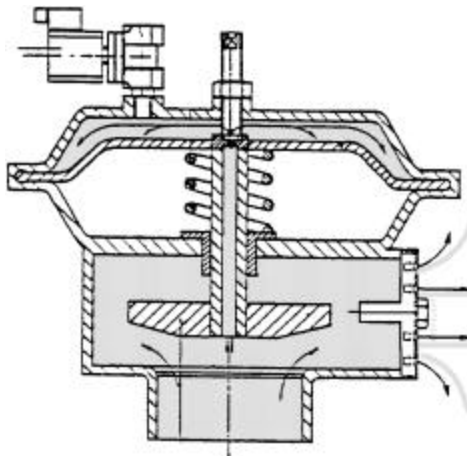
AERZEN AEROMAT UNLOADING DEVICE

Used to start blower under NO LOAD conditions. * Refer to Operation & Maintenance Manual for more detailed description of operation.

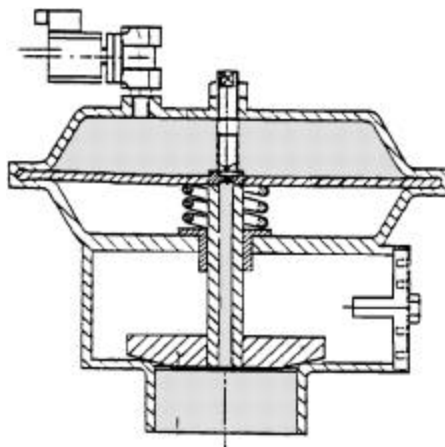
Optional Solenoid Valve
*



At standstill, the valve is kept open by the spring pressure. Upon blower start-up, the air initially escapes through the valve and out the exhaust openings.



As the blower gets up to speed, the air pressure enters the upper diaphragm through the main valves' hollow spindle.



This air pressure acts against the spring pressure, and closes the main valve. By now the blower is at full operating speed and all air goes through the discharge pipework.